

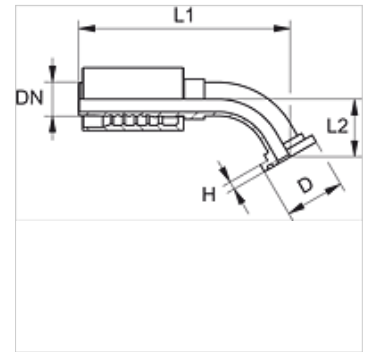
# PA 500 SF6 45 VA

Swage fitting, SFS angle 45°

**HANSA FLEX**

## Properties

<b>Application</b>	Swage fitting for HD 500 hoses
<b>Connection 1</b>	SAE flange connection 6000 PSI
<b>Sealing form 1</b>	flat seal with SF O-ring
<b>Short code</b>	SFS
<b>Standard</b>	SAE J518 ISO 6162-2
<b>Integration</b>	with pull-out protection (interlock)
<b>Scope of supply</b>	Swage nipple + swage ferrule
<b>Material</b>	Stainless steel



## Ordering information

Seals of NBR

FPM (Viton) on request

## Item

Identification	DN	Size	Inches	Flange size	D (mm)	H (mm)	L2 (mm)
PA 520 SF6 45 VA	19	12	3/4"	3/4"	41,3	8,8	38,0
PA 520 SF6 25 45 VA	19	12	3/4"	1"	47,6	9,5	40,0
PA 525 SF6 45 VA	25	16	1"	1"	47,6	9,5	40,0
PA 525 SF6 32 45 VA	25	16	1"	1.1/4"	54,0	10,3	44,0
PA 532 SF6 45 VA	31	20	1.1/4"	1.1/4"	54,0	10,3	46,0
PA 532 SF6 40 45 VA	31	20	1.1/4"	1.1/2"	63,5	12,6	48,0
PA 540 SF6 45 VA	38	24	1.1/2"	1.1/2"	63,5	12,6	48,0
PA 540 SF6 50 45 VA	38	24	1.1/2"	2"	79,4	12,6	65,0
PA 550 SF6 45 VA	51	32	2"	2"	79,4	12,6	65,0

## Product versions

PA 500 SF6 45 A Swage fitting, SFS angle 45°, Steel