

ND AB

Plug-in nipple, DKR

Properties

Connection 1 BSP external thread, cylindrical

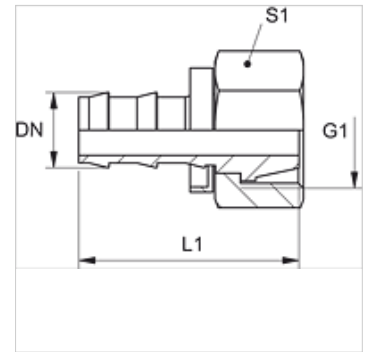
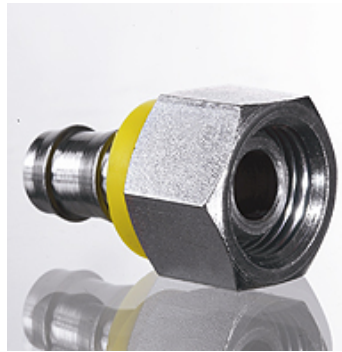
Sealing form 1 60° outer cone

Short code DKR

Standard ISO 8434-6
BS 5200

Material Steel

Surface electro galvanised



Note

Undamaged nipples can be reused.

Item

Identification	DN	Size	Inches	G1	L1 (mm)	S1
ND 06 AB	6	4	1/4"	G 1/4" -19	33,0	17
ND 10 AB	10	6	3/8"	G 3/8" -19	37,0	19
ND 13 AB	12	8	1/2"	G 1/2" -14	42,0	27
ND 16 AB	16	10	5/8"	G 5/8" -14	53,0	30
ND 20 AB	19	12	3/4"	G 3/4" -14	58,0	32
ND 25 AB	25	16	1"	G 1" -11	57,0	41

Accessories

ND ASR GE, RO, BL Stop ring for plug-in nipple