

ND AJ

Plug-in nipple, DKJ

Properties

Connection 1 UN/UNF nut threads

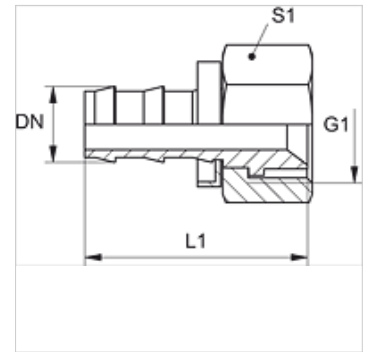
Sealing form 1 74° inner cone

Short code DKJ

Standard ISO 8434-2

Material Steel

Surface electro galvanised



Note

Undamaged nipples can be reused.

Item

Identification	DN	Size	Inches	G1	L1 (mm)	S1
ND 06 AJ	6	4	1/4"	7/16"-20 UNF	40,0	14
ND 06 AJ 08	6	4	1/4"	1/2"-20 UNF	40,0	17
ND 10 AJ	10	6	3/8"	9/16"-18 UNF	45,0	19
ND 13 AJ	12	8	1/2"	3/4"-16 UNF	51,0	22
ND 13 AJ 16	12	8	1/2"	7/8" -14 UNF	65,0	27
ND 16 AJ	16	10	5/8"	7/8" -14 UNF	65,0	27
ND 20 AJ	19	12	3/4"	1.1/16" -12 UN	67,0	32
ND 25 AJ	25	16	1"	1.5/16" -12 UN	70,0	41

Accessories

ND ASR GE, RO, BL Stop ring for plug-in nipple