

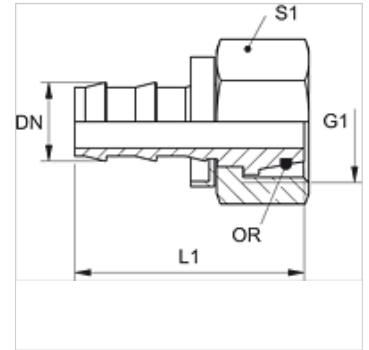
# ND AOL

Plug-in nipple, DKOL

**HANSA FLEX**

## Properties

<b>Connection 1</b>	metric nut thread
<b>Sealing form 1</b>	24° outer cone with O-ring
<b>Short code</b>	DKOL
<b>Standard</b>	ISO 8434-1
<b>Material</b>	Steel
<b>Surface</b>	electro galvanised



## Note

Undamaged nipples can be reused.

## Item

Identification	DN	Size	Inches	G1	for external pipe Ø (mm)	L1 (mm)	S1	OR
ND 06 AOL 04	6	4	1/4"	M 12 x 1.5	6	40,0	14	4.5 x 1.5
ND 06 AOL	6	4	1/4"	M 14 x 1.5	8	36,0	17	6.5 x 1.5
ND 06 AOL 08	6	4	1/4"	M 16 x 1.5	10	36,0	19	8.5 x 1.5
ND 10 AOL 08	10	6	3/8"	M 16 x 1.5	10	40,0	19	8.5 x 1.5
ND 10 AOL	10	6	3/8"	M 18 x 1.5	12	40,0	22	10.5 x 1.5
ND 13 AOL	12	8	1/2"	M 22 x 1.5	15	44,0	27	12.5 x 1.5
ND 16 AOL	16	10	5/8"	M 26 x 1.5	18	56,0	32	16.0 x 2.0
ND 20 AOL	19	12	3/4"	M 30 x 2	22	58,0	36	20.0 x 2.0

## Accessories

ND ASR GE, RO, BL Stop ring for plug-in nipple