

ND ASA

Plug-in nipple, DKJ

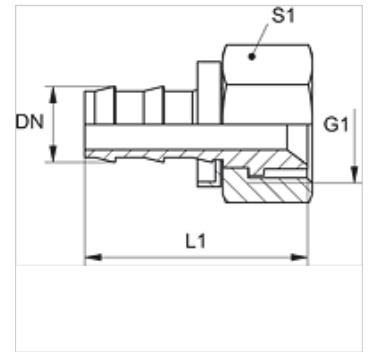
Properties

Connection 1 UN/UNF nut threads

Sealing form 1 90° inner cone

Standard SAE J516/J513

Material Brass



Note

Undamaged nipples can be reused.

Item

| Identification | DN | Size | Inches | G1 | L1 (mm) | S1 |
|----------------|----|------|--------|-------------|------------|----|
| ND 10 ASA | 10 | 6 | 3/8" | 5/8"-18 UNF | 46,0 | 19 |

Accessories

ND ASR GE, RO, BL Stop ring for plug-in nipple