

ND B

Plug-in nipple, RGN

Properties

Connection 1 Banjo for metric hollow screw

Sealing form 1 Sealed by copper ring

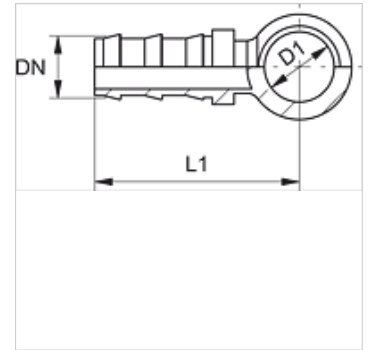
Connection 2 Hose connection

Short code RGN

Standard DIN 7642

Material Steel

Surface electro galvanised



Note

Undamaged nipples can be reused.

Item

Identification	DN	Size	Inches	D1 (mm)	for hollow screw	L1 (mm)
ND 06 B 02	6	4	1/4"	8,1	M 8	36,0
ND 06 B 04	6	4	1/4"	10,1	M 10	38,0
ND 06 B	6	4	1/4"	12,1	M 12	40,0
ND 06 B 08	6	4	1/4"	14,1	M 14	42,0
ND 10 B 06	10	6	3/8"	12,1	M 12	44,0
ND 10 B 08	10	6	3/8"	14,1	M 14	47,0
ND 10 B	10	6	3/8"	16,1	M 16	49,0
ND 13 B 08	12	8	1/2"	14,1	M 14	51,0
ND 13 B 16	12	8	1/2"	22,1	M 22	58,0
ND 16 B	16	10	5/8"	22,1	M 22	68,0

Accessories

ND ASR GE, RO, BL Stop ring for plug-in nipple