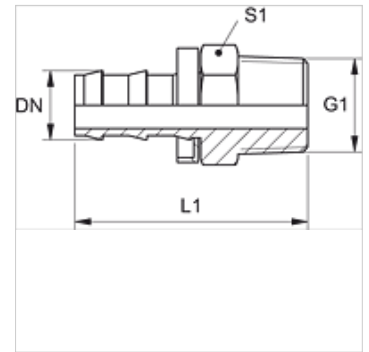


ND HBK

Plug-in nipple, AGR-K

Properties

Connection 1	BSPT conical external threads
Sealing form 1	thread seal
Short code	AGR-K
Standard	BS 5200
Material	Steel
Surface	electro galvanised



Note

Undamaged nipples can be reused.

Item

Identification	DN	Size	Inches	G1	L1 (mm)	S1
ND 06 HBK 02	6	4	1/4"	R 1/8" K	37,0	12
ND 06 HBK	6	4	1/4"	R 1/4" K	40,0	14
ND 10 HBK 06	10	6	3/8"	R 1/4" K	44,0	14
ND 10 HBK	10	6	3/8"	R 3/8" K	45,0	19
ND 13 HBK	12	8	1/2"	R 1/2" K	55,0	22
ND 20 HBK	19	12	3/4"	R 3/4" K	68,0	27

Accessories

ND ASR GE, RO, BL Stop ring for plug-in nipple