

# ND HJ

Plug-in nipple, AGJ

## Properties

**Connection 1** UN/UNF external threads

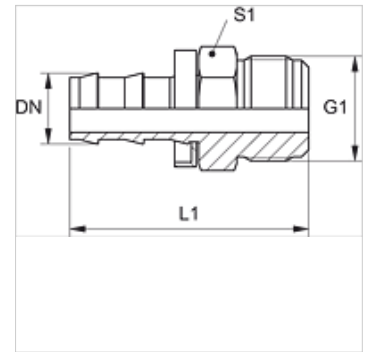
**Sealing form 1** 74° outer cone

**Short code** AGJ

**Standard** ISO 8434-2

**Material** Steel

**Surface** electro galvanised



## Note

Undamaged nipples can be reused.

## Item

Identification	DN	Size	Inches	G1	L1 (mm)	S1
ND 10 HJ	10	6	3/8"	9/16"-18 UNF	45,0	16
ND 13 HJ	12	8	1/2"	3/4"-16 UNF	52,0	19

## Accessories

ND ASR GE, RO, BL Stop ring for plug-in nipple