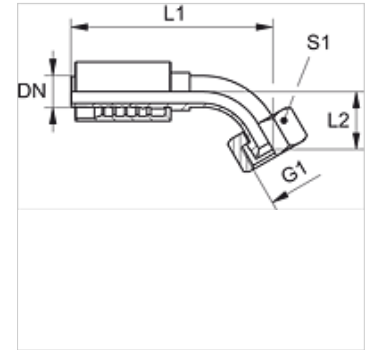


PA 500 AJ 45 VA

Swage fitting, DKJ angle 45°

Properties

Application	Swage fitting for HD 500 hoses
Connection 1	UN/UNF nut threads
Sealing form 1	74° inner cone
Short code	DKJ
Standard	ISO 8434-2
Integration	with pull-out protection (interlock)
Scope of supply	Swage nipple + swage ferrule
Material	Stainless steel



Item						
Identification	DN	Size	Inches	G1	L2 (mm)	S1
PA 520 AJ 45 VA	19	12	3/4"	1.1/16" -12 UN	37,5	32
PA 520 AJ 25 45 VA	19	12	3/4"	1.5/16" -12 UN	43,5	41
PA 525 AJ 45 VA	25	16	1"	1.5/16" -12 UN	47,0	41
PA 525 AJ 32 45 VA	25	16	1"	1.5/8" -12 UN	51,0	50
PA 532 AJ 45 VA	31	20	1.1/4"	1.5/8" -12 UN	49,0	50
PA 532 AJ 40 45 VA	31	20	1.1/4"	1.7/8" -12 UN	52,0	60
PA 540 AJ 45 VA	38	24	1.1/2"	1.7/8" -12 UN	50,0	60
PA 540 AJ 50 45 VA	38	24	1.1/2"	2.1/2" -12 UN	-	70
PA 550 AJ 45 VA	51	32	2"	2.1/2" -12 UN	78,0	70