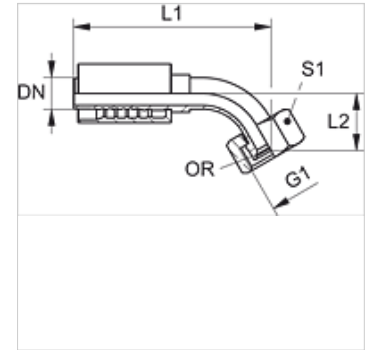


PA 500 AOJ 45 A

Swage fitting, DKOJ angle 45°

Properties

Application	Swage fitting for HD 500 hoses
Connection 1	UN/UNF nut threads
Sealing form 1	74° inner cone with O-ring
Short code	DKOJ
Standard	ISO 8434-2
Integration	with pull-out protection (interlock)
Scope of supply	Swage nipple + swage ferrule
Material	Steel
Surface	electro galvanised



Item

Identification	DN	Size	Inches	Operating pressure (bar)	G1	L1 (mm)	L2 (mm)	S1	OR
PA 720 AOJ 45	19	12	3/4"	-	1.1/16" -12 UN	140,0	34,5	32	19.00 x 1.50
PA 725 AOJ 45	25	16	1"	-	1.5/16" -12 UN	169,5	39,0	41	25.00 x 1.50
PA 532 AOJ 45 A	31	20	1.1/4"	420,0	1.5/8" -12 UN	199,0	49,5	50	31.47 x 1.78
PA 540 AOJ 45 A	38	24	1.1/2"	420,0	1.7/8" -12 UN	233,0	58,0	55	37.82 x 1.78
PA 550 AOJ 45 A	51	32	2"	345,0	2.1/2" -12 UN	275,0	64,0	75	50.00 x 2.00