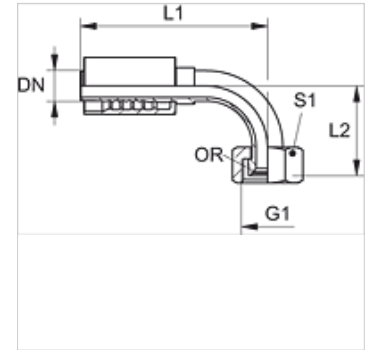


# PA 500 AOJ 90 A

Swage fitting, DKOJ angle 90°

## Properties

<b>Application</b>	Swage fitting for HD 500 hoses
<b>Connection 1</b>	UN/UNF nut threads
<b>Sealing form 1</b>	74° inner cone with O-ring
<b>Short code</b>	DKOJ
<b>Standard</b>	ISO 8434-2
<b>Integration</b>	with pull-out protection (interlock)
<b>Scope of supply</b>	Swage nipple + swage ferrule
<b>Material</b>	Steel
<b>Surface</b>	electro galvanised



## Item

Identification	DN	Size	Inches	Operating pressure (bar)	G1	L1 (mm)	L2 (mm)	S1	OR
PA 720 AOJ 90	19	12	3/4"	-	1.1/16" -12 UN	127,5	68,2	32	19.00 x 1.50
PA 725 AOJ 90	25	16	1"	-	1.5/16" -12 UN	158,0	81,7	41	25.00 x 1.50
PA 532 AOJ 90 A	31	20	1.1/4"	420,0	1.5/8" -12 UN	182,0	104,0	50	31.47 x 1.78
PA 540 AOJ 90 A	38	24	1.1/2"	420,0	1.7/8" -12 UN	215,5	120,5	55	37.82 x 1.78
PA 550 AOJ 90 A	51	32	2"	345,0	2.1/2" -12 UN	250,5	140,0	75	50.00 x 2.00