

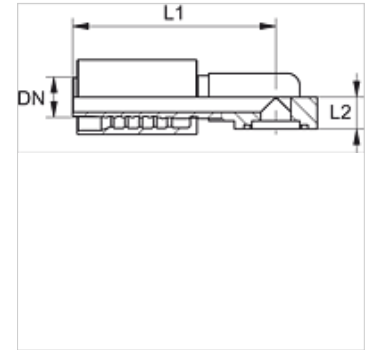
PA 500 SF6 90 4 K A

Swage fitting, SFS angle 90°

HANSA FLEX

Properties

| | |
|------------------------|--------------------------------------|
| Application | Swage fitting for HD 500 hoses |
| Connection 1 | SAE flange connection 6000 PSI |
| Sealing form 1 | flat seal with SF O-ring |
| Short code | SFS |
| Standard | SAE J518 ISO 6162-2 |
| Integration | with pull-out protection (interlock) |
| Scope of supply | Swage nipple + swage ferrule |
| Material | Steel |
| Surface | electro galvanised |



Item

| Identification | DN | Size | Inches | Flange size | H (mm) | L1 (mm) | L2 (mm) |
|-------------------|----|------|--------|-------------|-----------|------------|------------|
| PA 720 SF6 90 4 K | 19 | 12 | 3/4" | 3/4" | 28,0 | 155,5 | 125,5 |
| PA 725 SF6 90 4 K | 25 | 16 | 1" | 1" | - | - | - |