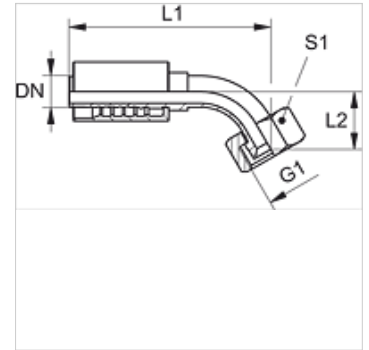


PA 600 AJ 45 VA

Swage fitting, DKJ angle 45°

Properties

Application	Swage fitting for HD 600 hoses
Connection 1	UN/UNF nut threads
Sealing form 1	74° inner cone
Short code	DKJ
Standard	ISO 8434-2
Integration	with pull-out protection (interlock)
Scope of supply	Swage nipple + swage ferrule
Material	Stainless steel



Item

Identification	DN	Size	Inches	G1	L2 (mm)	S1
PA 650 AJ 45 VA	51	32	2"	2.1/2" -12 UN	78,0	70