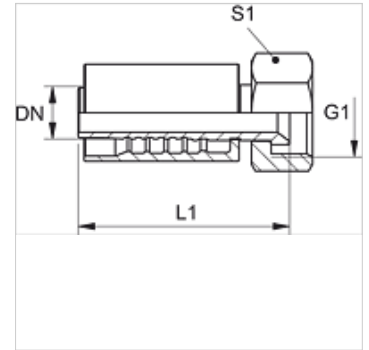


# PA 600 AJ VA

Swage fitting, DKJ

## Properties

<b>Application</b>	Swage fitting for HD 600 hoses
<b>Connection 1</b>	UN/UNF nut threads
<b>Sealing form 1</b>	74° inner cone
<b>Short code</b>	DKJ
<b>Standard</b>	ISO 8434-2
<b>Integration</b>	with pull-out protection (interlock)
<b>Scope of supply</b>	Swage nipple + swage ferrule
<b>Material</b>	Stainless steel



## Item

Identification	DN	Size	Inches	G1	S1
PA 650 AJ VA	51	32	2"	2.1/2" -12 UN	70