

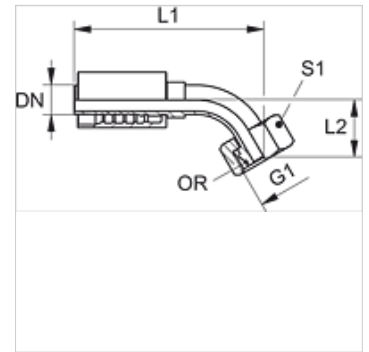
PA 600 AOB 45

Swage fitting, DKOR angle 45°

HANSA FLEX

Properties

Application	Swage fitting for HD 600 hoses
Connection 1	BSP nut thread
Sealing form 1	60° outer cone with O-ring
Short code	DKOR
Standard	ISO 8434-6 BS 5200
Integration	with pull-out protection (interlock)
Scope of supply	Swage nipple + swage ferrule
Material	Steel
Surface	electro galvanised



Item

Identification	DN	Size	Inches	G1	L1 (mm)	L2 (mm)	S1	OR
PA 650 AOB 45	51	32	2"	G 2" -11	279,0	68,5	70	48.1 x 1.6

Product versions

PA 600 AOB 45 VA Swage fitting, DKOR angle 45°, Stainless steel