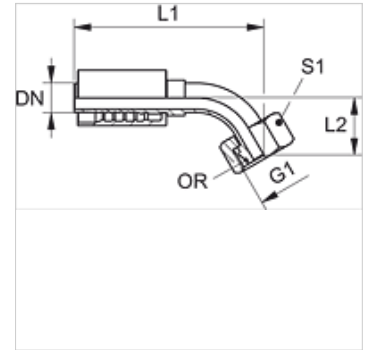


PA 600 AOB 45 VA

Swage fitting, DKOR angle 45°

Properties

Application	Swage fitting for HD 600 hoses
Connection 1	BSP nut thread
Sealing form 1	60° outer cone with O-ring
Short code	DKOR
Standard	ISO 8434-6 BS 5200
Integration	with pull-out protection (interlock)
Scope of supply	Swage nipple + swage ferrule
Material	Stainless steel



Ordering information

Seals of NBR
FPM (Viton) on request

Item

Identification	DN	Size	Inches	G1	L2 (mm)	S1	OR
PA 650 AOB 45 VA	51	32	2"	G 2" -11	81,0	70	48.1 x 1.6

Product versions

PA 600 AOB 45 Swage fitting, DKOR angle 45°, Steel