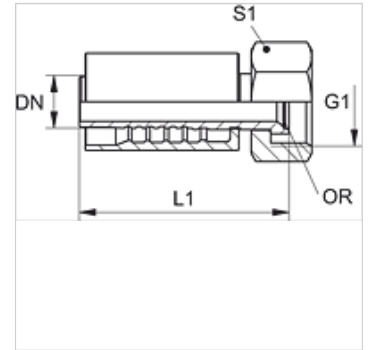


PA 600 AOJ

Swage fitting, DKOJ

Properties

Application	Swage fitting for HD 600 hoses
Connection 1	UN/UNF nut threads
Sealing form 1	74° inner cone with O-ring
Short code	DKOJ
Standard	ISO 8434-2
Integration	with pull-out protection (interlock)
Scope of supply	Swage nipple + swage ferrule
Material	Steel
Surface	electro galvanised



Item

Identification	DN	Size	Inches	G1	L1 (mm)	S1	OR
PA 650 AOJ	51	32	2"	2.1/2" -12 UN	170,0	75	50.0 x 2.0