

PA 600 HB VA

Swage fitting, AGR

HANSA FLEX

Properties

Application Swage fitting for HD 600 hoses

Connection 1 BSP external thread, cylindrical

Sealing form 1 60° inner cone

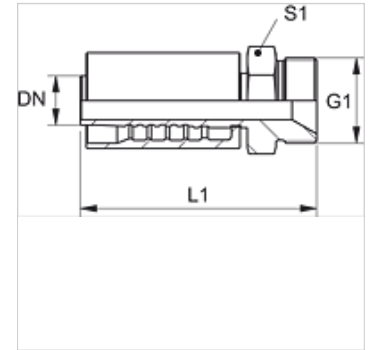
Short code AGR

Standard ISO 8434-6
BS 5200

Integration with pull-out protection (interlock)

Scope of supply Swage nipple + swage ferrule

Material Stainless steel



Item

Identification	DN	Size	Inches	G1	S1
PA 650 HB VA	51	32	2"	G 2" -11	70