

PA 700 AJ H

Swage fitting, DKJ

HANSA FLEX

Properties

Application Swage fitting for HD 700 hoses

Connection 1 UN/UNF nut threads

Sealing form 1 74° inner cone

Short code DKJ

Standard ISO 8434-2

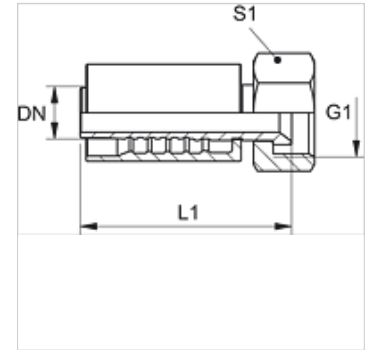
Integration with pull-out protection (interlock)

Scope of supply Swage nipple + swage ferrule

Additional feature for breaker operation

Material Steel

Surface electro galvanised



Description

Reinforced design for extreme loads, e.g. use in hammers.

Item

Identification	DN	Size	Inches	Operating pressure (bar)	G1	L1 (mm)	S1
PA 720 AJ H	19	12	3/4"	345,0	1.1/16" -12 UN	91,5	32
PA 725 AJ H	25	16	1"	275,0	1.5/16" -12 UN	98,2	41
PA 725 AJ 32 H	25	16	1"	200,0	1.5/8" -12 UN	111,0	50