

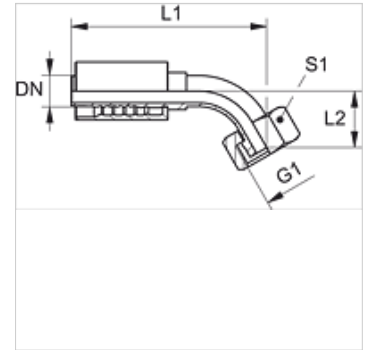
PA 700 AJF 45

Swage fitting, ORFS angle 45°

HANSA FLEX

Properties

Application	Swage fitting for HD 700 hoses
Connection 1	UN/UNF nut threads
Sealing form 1	flat sealing
Short code	ORFS
Standard	ISO 8434-3
Integration	with pull-out protection (interlock)
Scope of supply	Swage nipple + swage ferrule
Material	Steel
Surface	electro galvanised



Item

Identification	DN	Size	Inches	Operating pressure (bar)	G1	L1 (mm)	L2 (mm)	S1
PA 720 AJF 45	19	12	3/4"	413,0	1.3/16" -12 UN	133,0	26,5	36
PA 725 AJF 45	25	16	1"	413,0	1.7/16" -12 UN	160,5	31,0	41
PA 732 AJF 45	31	20	1.1/4"	275,0	1.11/16" -12 UN	178,0	34,0	50
PA 740 AJF 45	38	24	1.1/2"	275,0	2" -12 UN	209,0	32,0	60