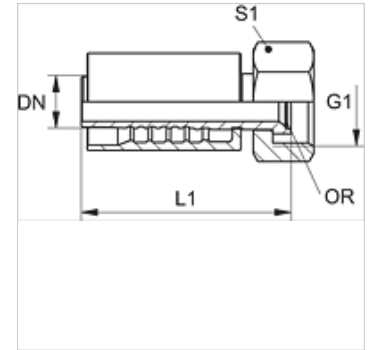


# PA 700 AOJ

Swage fitting, DKOJ

## Properties

<b>Application</b>	Swage fitting for HD 700 hoses
<b>Connection 1</b>	UN/UNF nut threads
<b>Sealing form 1</b>	74° inner cone with O-ring
<b>Short code</b>	DKOJ
<b>Standard</b>	ISO 8434-2
<b>Integration</b>	with pull-out protection (interlock)
<b>Scope of supply</b>	Swage nipple + swage ferrule
<b>Material</b>	Steel
<b>Surface</b>	electro galvanised



## Item

Identification	DN	Size	Inches	Operating pressure (bar)	G1	L1 (mm)	S1	OR
PA 720 AOJ	19	12	3/4"	420,0	1.1/16" -12 UN	90,0	32	19.00 x 1.50
PA 725 AOJ	25	16	1"	420,0	1.5/16" -12 UN	103,5	41	25.00 x 1.50
PA 732 AOJ	31	20	1.1/4"	420,0	1.5/8" -12 UN	115,0	50	31.47 x 1.78
PA 740 AOJ	38	24	1.1/2"	420,0	1.7/8" -12 UN	132,0	55	37.82 x 1.78