

PA 700 AOL 45

Swage fitting, DKOL angle 45°

HANSA FLEX

Properties

Application Swage fitting for HD 700 hoses

Connection 1 metric nut thread

Sealing form 1 24° outer cone with O-ring

Short code DKOL

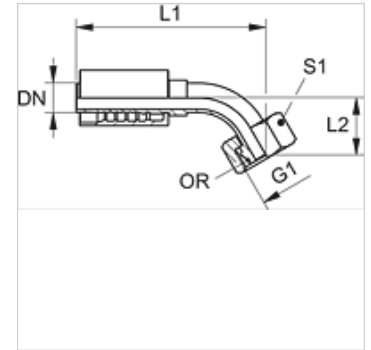
Standard ISO 8434-1

Integration with pull-out protection (interlock)

Scope of supply Swage nipple + swage ferrule

Material Steel

Surface electro galvanised



Item

Identification	DN	Size	Inches	G1	for external pipe Ø (mm)	L1 (mm)	L2 (mm)	S1	OR
PA 710 AOL 45	10	6	3/8"	M 18 x 1.5	12	82,5	19,5	22	10.5 x 1.5
PA 713 AOL 45	12	8	1/2"	M 22 x 1.5	15	93,5	21,0	27	12.0 x 2.0
PA 716 AOL 45	16	10	5/8"	M 26 x 1.5	18	115,0	26,5	32	15.0 x 2.0

Product versions

PA 700 AOL 45 VA Swage fitting, DKOL angle 45°, Stainless steel