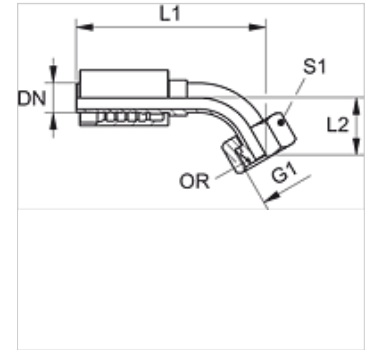


PA 700 AOS 45 VA

Swage fitting, DKOS angle 45°

Properties

Application	Swage fitting for HD 700 hoses
Connection 1	metric nut thread
Sealing form 1	24° outer cone with O-ring
Short code	DKOS
Standard	ISO 8434-1
Integration	with pull-out protection (interlock)
Scope of supply	Swage nipple + swage ferrule
Material	Stainless steel



Ordering information

Seals of NBR
FPM (Viton) on request

Item									
Identification	DN	Size	Inches	G1	for external pipe Ø (mm)	L2 (mm)	S1	OR	
PA 720 AOS 16 45 VA	19	12	3/4"	M 30 x 2	20	45,0	36	16.0 x 2.5	
PA 720 AOS 45 VA	19	12	3/4"	M 36 x 2	25	40,0	46	20.0 x 2.5	
PA 725 AOS 45 VA	25	16	1"	M 42 x 2	30	43,0	50	25.0 x 2.5	
PA 732 AOS 45 VA	31	20	1.1/4"	M 52 x 2	38	52,0	60	33.0 x 2.5	

Product versions

PA 700 AOS 45