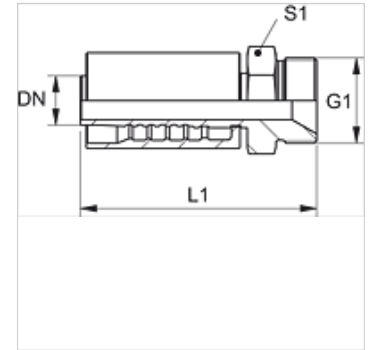


PA 700 HB

Swage fitting, AGR

Properties

Application	Swage fitting for HD 700 hoses
Connection 1	BSP external thread, cylindrical
Sealing form 1	60° inner cone
Short code	AGR
Standard	ISO 8434-6 BS 5200
Integration	with pull-out protection (interlock)
Scope of supply	Swage nipple + swage ferrule
Material	Steel
Surface	electro galvanised



Item

Identification	DN	Size	Inches	Operating pressure (bar)	G1	L1 (mm)	S1
PA 720 HB	19	12	3/4"	420,0	G 3/4" -14	97,5	32
PA 725 HB	25	16	1"	420,0	G 1" -11	114,5	41
PA 732 HB	31	20	1.1/4"	420,0	G 1.1/4" -11	125,5	50
PA 740 HB	38	24	1.1/2"	420,0	G 1.1/2" -11	143,5	55
PA 750 HB	51	32	2"	345,0	G 2" -11	-	-

Product versions

PA 700 HB VA	Swage fitting, AGR, Stainless steel
--------------	-------------------------------------