

# PA 700 HB VA

Swage fitting, AGR

**HANSA FLEX**

## Properties

**Application** Swage fitting for HD 700 hoses

**Connection 1** BSP external thread, cylindrical

**Sealing form 1** 60° inner cone

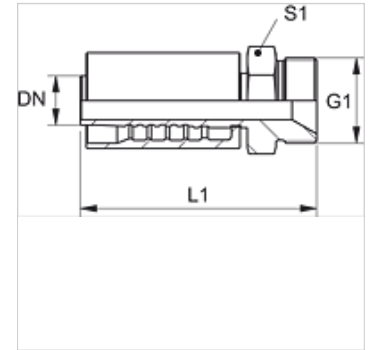
**Short code** AGR

**Standard** ISO 8434-6  
BS 5200

**Integration** with pull-out protection (interlock)

**Scope of supply** Swage nipple + swage ferrule

**Material** Stainless steel



## Item

Identification	DN	Size	Inches	Operating pressure (bar)	G1	S1
PA 725 HB VA	25	16	1"	280,0	G 1" -11	41
PA 732 HB VA	31	20	1.1/4"	160,0	G 1.1/4" -11	50
PA 740 HB VA	38	24	1.1/2"	125,0	G 1.1/2" -11	55

## Product versions

PA 700 HB Swage fitting, AGR, Steel