

# PA 700 HL KO

Swage fitting, CEL

**HANSA FLEX**

## Properties

**Application** Swage fitting for HD 700 hoses

**Connection 1** metric cylindrical outer thread

**Sealing form 1** 24° inner cone

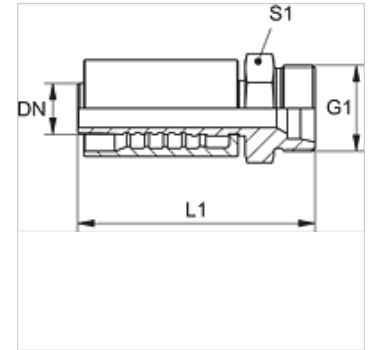
**suitable for** Kobelco

**Integration** with pull-out protection (interlock)

**Scope of supply** Swage nipple + swage ferrule

**Material** Steel

**Surface** electro galvanised



## Item

Identification	DN	Size	Inches	Series	G1	for external pipe Ø (mm)	S1
PA 725 HL KO	25	16	1"	L	M 36 x 1.5	28	36
PA 725 HL KO 32	25	16	1"	L	M 45 x 1.5	35	46