

PA 700 HS VA

Swage fitting, CES

HANSA FLEX

Properties

Application Swage fitting for HD 700 hoses

Connection 1 metric cylindrical outer thread

Sealing form 1 24° inner cone

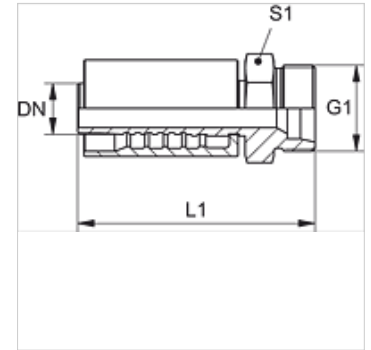
Short code CES

Standard ISO 8434-1

Integration with pull-out protection (interlock)

Scope of supply Swage nipple + swage ferrule

Material Stainless steel



Item

Identification	DN	Size	Inches	Series	G1	for external pipe Ø (mm)	S1
PA 720 HS VA	19	12	3/4"	S	M 36 x 2	25	36
PA 725 HS 20 VA	25	16	1"	-	M 36 x 2	25	36
PA 725 HS VA	25	16	1"	-	M 42 x 2	30	46
PA 732 HS VA	31	20	1.1/4"	S	M 52 x 2	38	55

Product versions

PA 700 HS Swage fitting, CES, Steel