

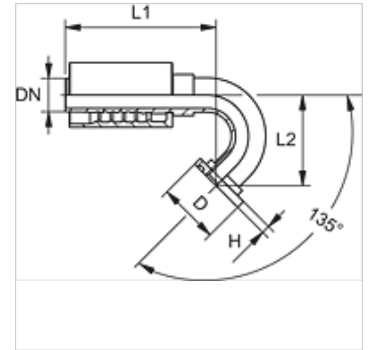
# PA 700 SF6 135

Swage fitting, SFS angle 135°

**HANSA FLEX**

## Properties

<b>Application</b>	Swage fitting for HD 700 hoses
<b>Connection 1</b>	SAE flange connection 6000 PSI
<b>Sealing form 1</b>	flat seal with SF O-ring
<b>Short code</b>	SFS
<b>Standard</b>	SAE J518 ISO 6162-2
<b>Integration</b>	with pull-out protection (interlock)
<b>Scope of supply</b>	Swage nipple + swage ferrule
<b>Material</b>	Steel
<b>Surface</b>	electro galvanised



## Item

Identification	DN	Size	Inches	Flange size	Operating pressure (bar)	D (mm)	H (mm)	L1 (mm)	L2 (mm)
PA 725 SF6 135	25	16	1"	1"	420,0	47,6	9,5	170,0	100,0