

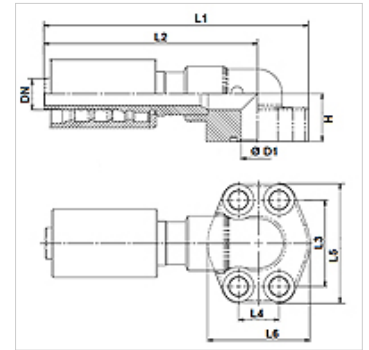
PA 700 SF6 90 4 K

Swage fitting, SFS angle 90°

HANSA FLEX

Properties

Application	Swage fitting for HD 700 hoses
Connection 1	SAE flange connection 6000 PSI
Sealing form 1	flat seal with SF O-ring
Short code	SFS
Standard	SAE J518 ISO 6162-2
Integration	with pull-out protection (interlock)
Scope of supply	Swage nipple + swage ferrule
Material	Steel
Surface	electro galvanised



Item

Identification	DN	Size	Inches	Flange size	Ø d (mm)	Operating pressure (bar)	H (mm)	L1 (mm)	L2 (mm)	L3 (mm)	L4 (mm)	L5 (mm)	L6 (mm)
PA 720 SF6 90 4 K	19	12	3/4"	3/4"	19,0	420,0	28,0	155,5	125,5	50,8	23,8	70,0	60,0
PA 725 SF6 90 4 K	25	16	1"	1"	25,0	420,0	34,0	185,5	150,5	57,2	27,8	79,0	70,0