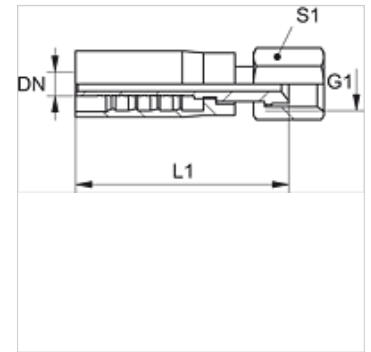


# PAY 300 AJ

Swage fitting, DKJ

## Properties

<b>Connection 1</b>	UN/UNF nut threads
<b>Sealing form 1</b>	74° inner cone
<b>Short code</b>	DKJ
<b>Standard</b>	ISO 8434-2
<b>Scope of supply</b>	Swage nipple + swage ferrule
<b>Material</b>	Steel
<b>Surface</b>	electro galvanised



Item						
Identification	DN	Size	Inches	G1	L1 (mm)	S1
PAY 306 AJ	6	4	1/4"	7/16"-20 UNF	-	-
PAY 306 AJ 08	6	4	1/4"	1/2"-20 UNF	55,0	19
PAY 310 AJ	10	6	3/8"	9/16"-18 UNF	59,0	22
PAY 310 AJ 13	10	6	3/8"	3/4"-16 UNF	59,0	24
PAY 313 AJ	12	8	1/2"	3/4"-16 UNF	64,0	27
PAY 313 AJ 16	12	8	1/2"	7/8" -14 UNF	62,0	27
PAY 316 AJ	16	10	5/8"	7/8" -14 UNF	73,0	27
PAY 320 AJ	19	12	3/4"	1.1/16" -12 UN	79,0	36
PAY 325 AJ	25	16	1"	1.5/16" -12 UN	77,0	41
PAY 325 AJ 32	25	16	1"	1.5/8" -12 UN	75,0	50
PAY 332 AJ	31	20	1.1/4"	1.5/8" -12 UN	-	-