

PAY 300 AN

Swage fitting, DKN

Properties

Connection 1 NPT nut thread (NPSM)

Sealing form 1 60° outer cone

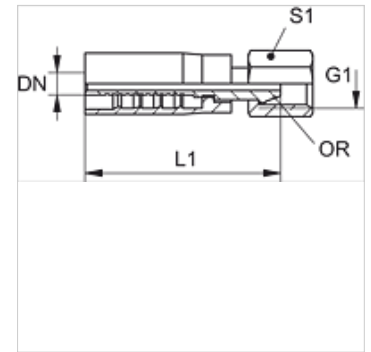
Short code DKN

Standard ANSI B 1.20.0

Scope of supply Swage nipple + swage ferrule

Material Steel

Surface electro galvanised



Item							
Identification	DN	Size	Inches	G1	L1 (mm)	S1	
PAY 306 AN	6	4	1/4"	1/4" -18 NPT	47,0	19	
PAY 308 AN 10	8	5	5/16"	3/8" -18 NPT	48,0	22	
PAY 310 AN	10	6	3/8"	3/8" -18 NPT	50,0	22	
PAY 313 AN	12	8	1/2"	1/2" -14 NPT	50,0	27	
PAY 316 AN 20	16	10	5/8"	3/4" -14 NPT	53,0	32	
PAY 320 AN	19	12	3/4"	3/4" -14 NPT	59,0	32	
PAY 325 AN	25	16	1"	1" -11.5 NPT	-	-	