

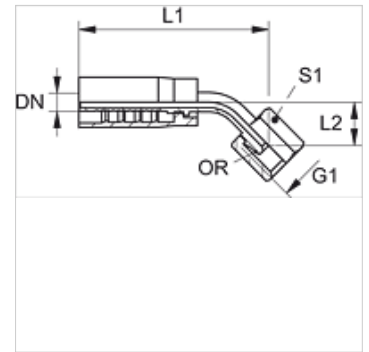
PAY 300 AOS 45

Swage fitting, DKOS angle 45°

HANSA FLEX

Properties

Connection 1	metric nut thread
Sealing form 1	24° outer cone with O-ring
Short code	DKOS
Standard	ISO 8434-1
Scope of supply	Swage nipple + swage ferrule
Material	Steel
Surface	electro galvanised



Item

Identification	DN	Size	Inches	G1	for external pipe Ø (mm)	L1 (mm)	L2 (mm)	S1	OR
PAY 306 AOS 45	6	4	1/4"	M 18 x 1.5	10	82,0	24,0	22	7.5 x 1.5
PAY 308 AOS 45	8	5	5/16"	M 20 x 1.5	12	76,0	20,0	24	9.0 x 1.5
PAY 310 AOS 08 45	10	6	3/8"	M 20 x 1.5	12	81,0	19,0	24	9.0 x 1.5
PAY 313 AOS 45	12	8	1/2"	M 24 x 1.5	16	96,0	23,0	30	12.0 x 2.0
PAY 316 AOS 45	16	10	5/8"	M 30 x 2	20	120,0	30,0	36	16.0 x 2.5
PAY 320 AOS 45	19	12	3/4"	M 36 x 2	25	137,0	37,0	46	20.0 x 2.5
PAY 325 AOS 45	25	16	1"	M 42 x 2	30	136,0	43,0	50	25.0 x 2.5