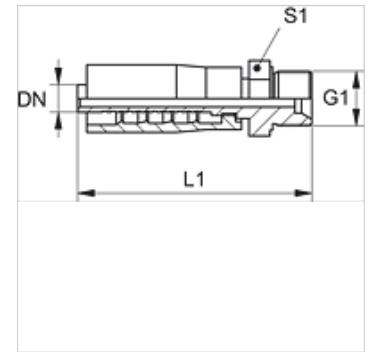


# PAY 300 HB

Swage fitting, AGR

## Properties

<b>Connection 1</b>	BSP external thread, cylindrical
<b>Sealing form 1</b>	60° inner cone
<b>Short code</b>	AGR
<b>Standard</b>	ISO 8434-6 BS 5200
<b>Scope of supply</b>	Swage nipple + swage ferrule
<b>Material</b>	Steel
<b>Surface</b>	electro galvanised



Item							
Identification	DN	Size	Inches	G1	L1 (mm)	S1	
PAY 306 HB	6	4	1/4"	G 1/4" -19	64,0	17	
PAY 308 HB 10	8	5	5/16"	G 3/8" -19	64,0	22	
PAY 310 HB	10	6	3/8"	G 3/8" -19	71,0	22	
PAY 310 HB 13	10	6	3/8"	G 1/2" -14	76,0	22	
PAY 313 HB	12	8	1/2"	G 1/2" -14	79,0	24	
PAY 316 HB 20	16	10	5/8"	G 3/4" -14	92,0	32	
PAY 320 HB	19	12	3/4"	G 3/4" -14	92,0	32	
PAY 320 HB 25	19	12	3/4"	G 1" -11	100,0	36	
PAY 325 HB	25	16	1"	G 1" -11	100,0	36	
PAY 325 HB 32	25	16	1"	G 1.1/4" -11	103,0	50	
PAY 332 HB 40	31	20	1.1/4"	G 1.1/2" -11	118,0	55	