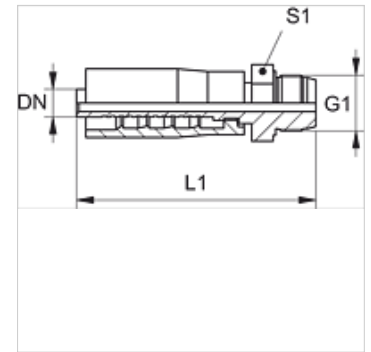


# PAY 300 HJ

Swage fitting, AGJ

## Properties

<b>Connection 1</b>	UN/UNF external threads
<b>Sealing form 1</b>	74° outer cone
<b>Short code</b>	AGJ
<b>Standard</b>	ISO 8434-2
<b>Scope of supply</b>	Swage nipple + swage ferrule
<b>Material</b>	Steel
<b>Surface</b>	electro galvanised



Item						
Identification	DN	Size	Inches	G1	L1 (mm)	S1
PAY 308 HJ 10	8	5	5/16"	9/16"-18 UNF	64,0	17
PAY 308 HJ 13	8	5	5/16"	3/4"-16 UNF	-	-
PAY 316 HJ 20	16	10	5/8"	1.1/16" -12 UN	94,0	30
PAY 320 HJ 25	19	12	3/4"	1.5/16" -12 UN	95,0	36
PAY 325 HJ 32	25	16	1"	1.5/8" -12 UN	97,0	46
PAY 332 HJ 40	31	20	1.1/4"	1.7/8" -12 UN	110,0	50