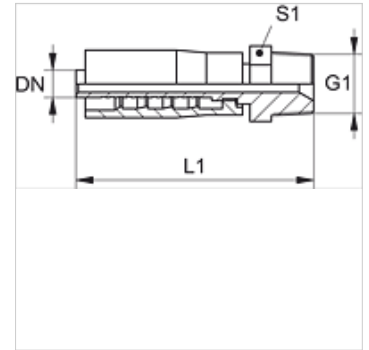


PAY 300 HN

Swage fitting, AGN

Properties

Connection 1	NPT external threads
Sealing form 1	thread seal, additional 60° inner cone.
Short code	AGN
Scope of supply	Swage nipple + swage ferrule
Material	Steel
Surface	electro galvanised



Item							
Identification	DN	Size	Inches	G1	L1 (mm)	S1	
PAY 306 HN	6	4	1/4"	1/4" -18 NPT	65,0	14	
PAY 306 HN 10	6	4	1/4"	3/8" -18 NPT	-	-	
PAY 310 HN	10	6	3/8"	3/8" -18 NPT	71,0	19	
PAY 310 HN 13	10	6	3/8"	1/2" -14 NPT	76,0	22	
PAY 313 HN	12	8	1/2"	1/2" -14 NPT	79,0	22	
PAY 320 HN	19	12	3/4"	3/4" -14 NPT	91,0	27	
PAY 325 HN	25	16	1"	1" -11.5 NPT	96,0	36	
PAY 325 HN 32	25	16	1"	1.1/4" -11.5 NPT	97,0	46	