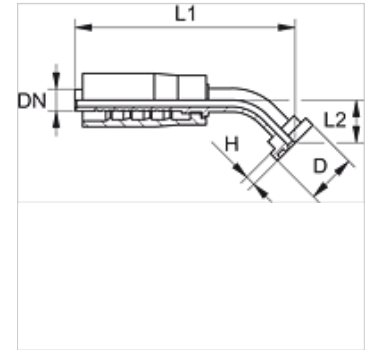


PAY 300 SF6 45

Swage fitting, SFS angle 45°

Properties

Connection 1	SAE flange connection 6000 PSI
Sealing form 1	flat seal with SF O-ring
Short code	SFS
Standard	SAE J518 ISO 6162-2
Scope of supply	Swage nipple + swage ferrule
Material	Steel
Surface	electro galvanised



Item

Identification	DN	Size	Inches	Flange size	D (mm)	H (mm)	L1 (mm)	L2 (mm)
PAY 313 SF6 45	12	8	1/2"	1/2"	31,8	7,7	95,0	21,0
PAY 316 SF6 20 45	16	10	5/8"	3/4"	41,3	8,8	117,5	28,0
PAY 320 SF6 45	19	12	3/4"	3/4"	41,3	8,8	130,5	32,0
PAY 325 SF6 45	25	16	1"	1"	47,6	9,5	130,0	37,0
PAY 332 SF6 45	31	20	1.1/4"	1.1/4"	54,0	10,3	180,5	44,0