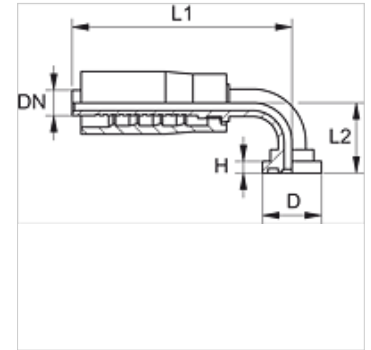


# PAY 300 SF6 90

Swage fitting, SFS angle 90°

## Properties

<b>Connection 1</b>	SAE flange connection 6000 PSI
<b>Sealing form 1</b>	flat seal with SF O-ring
<b>Short code</b>	SFS
<b>Standard</b>	SAE J518 ISO 6162-2
<b>Scope of supply</b>	Swage nipple + swage ferrule
<b>Material</b>	Steel
<b>Surface</b>	electro galvanised



## Item

Identification	DN	Size	Inches	Flange size	D (mm)	H (mm)	L1 (mm)	L2 (mm)
<b>PAY 313 SF6 90</b>	12	8	1/2"	1/2"	31,8	7,7	87,0	41,0
<b>PAY 316 SF6 20 90</b>	16	10	5/8"	3/4"	41,3	8,8	104,5	54,0
<b>PAY 320 SF6 90</b>	19	12	3/4"	3/4"	41,3	8,8	116,5	63,0
<b>PAY 325 SF6 90</b>	25	16	1"	1"	47,6	9,5	116,0	75,0
<b>PAY 332 SF6 90</b>	31	20	1.1/4"	1.1/4"	54,0	10,3	165,0	91,0