

# PN 02 AB 45

Swage nipple, DKR angle 45°

**HANSA FLEX**

## Properties

**Application** Measuring equipment

**Connection 1** BSP nut thread

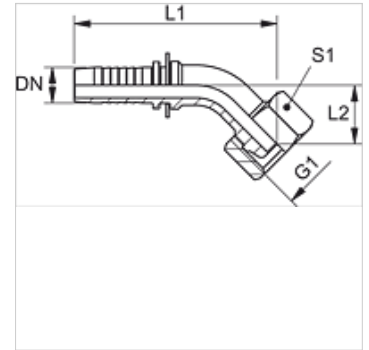
**Sealing form 1** 60° outer cone

**Short code** DKR

**Standard** BS 5200  
ISO 228-1

**Material** Steel

**Surface** electro galvanised



## Note

Appropriate ferrule: PMH 102.

## Item

Identification	DN	Size	Inches	G1	L1 (mm)	L2 (mm)	S1
PN 02 AB 45	2	1	5/64"	G 1/8" -28	44,5	15,0	14
PN 02 AB 06 45	2	1	5/64"	G 1/4" -19	47,5	16,0	17

DN = Nominal diameter, nominal width