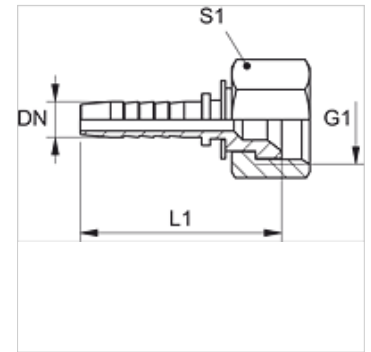


PN 02 AJ

Swage nipple, DKJ

Properties

Application	Measuring equipment
Connection 1	UN/UNF nut threads
Sealing form 1	74° inner cone
Short code	DKJ
Standard	ISO 8434-2
Material	Steel
Surface	electro galvanised



Note

Appropriate ferrule: PMH 102.

Item

Identification	DN	Size	Inches	G1	L1 (mm)	S1
PN 02 AJ 04	2	1	5/64"	3/8"-24 UNF	24,5	12
PN 02 AJ 06	2	1	5/64"	7/16"-20 UNF	-	14
PN 02 AJ 08	2	1	5/64"	1/2"-20 UNF	28,5	17
PN 02 AJ 10	2	1	5/64"	9/16"-18 UNF	28,5	19

DN = Nominal diameter, nominal width