

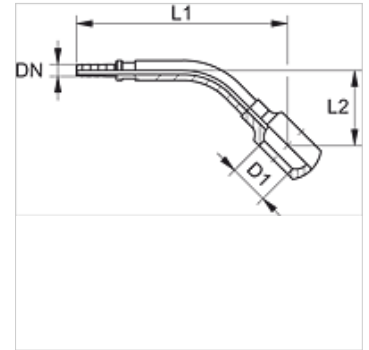
# PN 02 B 45

Swage nipple, RGN angle 45°

**HANSA FLEX**

## Properties

<b>Application</b>	Measuring equipment
<b>Connection 1</b>	Banjo for metric hollow screw
<b>Sealing form 1</b>	Sealed by copper ring
<b>Short code</b>	RGN
<b>Standard</b>	DIN 7642
<b>Material</b>	Steel
<b>Surface</b>	electro galvanised



## Note

Appropriate ferrule: PMH 102.

## Item

Identification	DN	Size	Inches	D1 (mm)	for hollow screw	L1 (mm)	L2 (mm)
<b>PN 02 B 45</b>	2	1	5/64"	8,1	M 8	46,5	15,0
<b>PN 02 B 04 45</b>	2	1	5/64"	10,1	M 10	51,0	23,5

DN = Nominal diameter, nominal width