

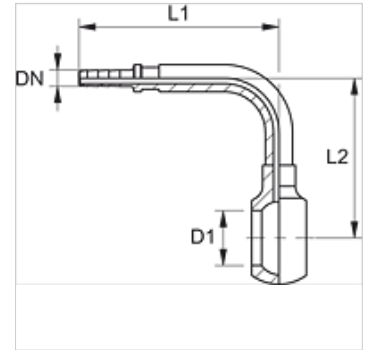
PN 02 B 90

Swage nipple, RGN angle 90°

HANSA FLEX

Properties

Application	Measuring equipment
Connection 1	Banjo for metric hollow screw
Sealing form 1	Sealed by copper ring
Short code	RGN
Standard	DIN 7642
Material	Steel
Surface	electro galvanised



Note

Appropriate ferrule: PMH 102.

Item

Identification	DN	Size	Inches	D1 (mm)	for hollow screw	L1 (mm)	L2 (mm)
PN 02 B 90	2	1	5/64"	8,1	M 8	36,0	26,0
PN 02 B 04 90	2	1	5/64"	10,1	M 10	32,0	38,0

DN = Nominal diameter, nominal width