

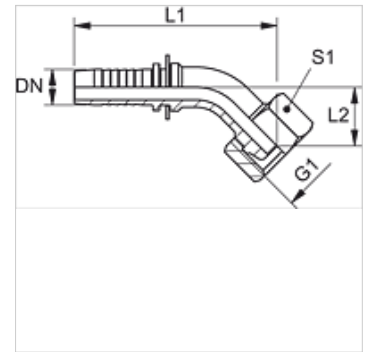
PN AFL 45 VA

Swage nipple, DKL angle 45°

HANSA FLEX

Properties

Application	Swage nipple for HD 100 to HD 400, KP and TE hoses
Connection 1	metric nut thread
Sealing form 1	24°/60° Universal sealing head
Short code	DKL
Series	light
Material	Stainless steel



Note

Choose the appropriate ferrule based on the hose type.

Item

Identification	DN	Size	Inches	Operating pressure (bar)	G1	for external pipe Ø (mm)	L1 (mm)	L2 (mm)	S1
PN 06 AFL 04 45 VA	6	4	1/4"	250,0	M 12 x 1.5	6	66,8	14,0	14
PN 06 AFL 45 VA	6	4	1/4"	250,0	M 14 x 1.5	8	64,8	14,5	17
PN 08 AFL 45 VA	8	5	5/16"	250,0	M 16 x 1.5	10	70,8	17,0	19
PN 10 AFL 45 VA	10	6	3/8"	250,0	M 18 x 1.5	12	73,3	18,5	22
PN 13 AFL 45 VA	12	8	1/2"	250,0	M 22 x 1.5	15	84,8	19,0	27
PN 16 AFL 45 VA	16	10	5/8"	160,0	M 26 x 1.5	18	93,0	23,0	32
PN 20 AFL 45 VA	19	12	3/4"	160,0	M 30 x 2	22	107,0	25,0	36
PN 25 AFL 45 VA	25	16	1"	100,0	M 36 x 2	28	132,5	32,0	41
PN 32 AFL 45 VA	31	20	1.1/4"	100,0	M 45 x 2	35	162,0	36,5	50
PN 40 AFL 45 VA	38	24	1.1/2"	100,0	M 52 x 2	42	173,0	43,5	60

Product versions

PN AFL 45 Swage nipple, DKL angle 45°, Steel