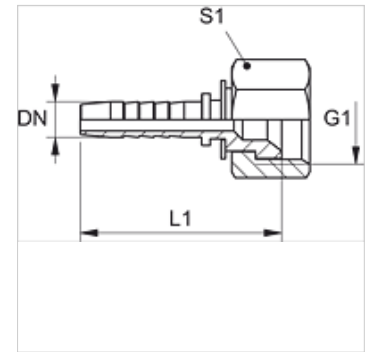


Properties

Application	Swage nipple for HD 100 to HD 400, KP and TE hoses
Connection 1	UN/UNF nut threads
Sealing form 1	74° inner cone
Short code	DKJ
Standard	ISO 8434-2
Material	Steel
Surface	electro galvanised



Note

Choose the appropriate ferrule based on the hose type.

Item

Identification	DN	Size	Inches	Operating pressure (bar)	G1	L1 (mm)	S1
PN 04 AJ 06	5	3	3/16"	410,0	7/16"-20 UNF	36,0	14
PN 06 AJ	6	4	1/4"	410,0	7/16"-20 UNF	42,0	14
PN 06 AJ 08	6	4	1/4"	410,0	1/2"-20 UNF	43,0	17
PN 06 AJ 10	6	4	1/4"	350,0	9/16"-18 UNF	44,5	19
PN 06 AJ 3/8	6	4	1/4"	410,0	3/8"-24 UNF	43,5	14
PN 08 AJ	8	5	5/16"	410,0	1/2"-20 UNF	43,0	17
PN 08 AJ 10	8	5	5/16"	350,0	9/16"-18 UNF	45,0	19
PN 08 AJ 13	8	5	5/16"	345,0	3/4"-16 UNF	46,5	24
PN 10 AJ 08	10	6	3/8"	350,0	1/2"-20 UNF	47,0	17
PN 10 AJ	10	6	3/8"	350,0	9/16"-18 UNF	46,0	19
PN 10 AJ 13	10	6	3/8"	345,0	3/4"-16 UNF	48,5	24
PN 10 AJ 16	10	6	3/8"	345,0	7/8"-14 UNF	49,5	27
PN 13 AJ	12	8	1/2"	345,0	3/4"-16 UNF	48,0	24
PN 13 AJ 10	12	8	1/2"	345,0	9/16"-18 UNF	49,0	19
PN 13 AJ 16	12	8	1/2"	345,0	7/8"-14 UNF	50,5	27
PN 13 AJ 20	12	8	1/2"	345,0	1.1/16" -12 UN	51,0	32
PN 16 AJ	16	10	5/8"	345,0	7/8"-14 UNF	53,5	27
PN 16 AJ 20	16	10	5/8"	345,0	1.1/16" -12 UN	56,0	32
PN 20 AJ 14	19	12	3/4"	345,0	1.3/16" -12 UN	64,0	36
PN 20 AJ 16	19	12	3/4"	345,0	7/8"-14 UNF	62,5	27
PN 20 AJ	19	12	3/4"	345,0	1.1/16" -12 UN	63,0	32
PN 20 AJ 25	19	12	3/4"	275,0	1.5/16" -12 UN	64,0	41
PN 25 AJ 20	25	16	1"	275,0	1.1/16" -12 UN	71,0	32
PN 25 AJ	25	16	1"	275,0	1.5/16" -12 UN	72,0	41
PN 25 AJ 32	25	16	1"	200,0	1.5/8" -12 UN	74,0	50
PN 32 AJ 25	31	20	1.1/4"	200,0	1.5/16" -12 UN	83,5	41
PN 32 AJ	31	20	1.1/4"	200,0	1.5/8" -12 UN	82,0	50
PN 32 AJ 40	31	20	1.1/4"	170,0	1.7/8" -12 UN	84,0	60
PN 40 AJ 32	38	24	1.1/2"	170,0	1.5/8" -12 UN	88,0	50
PN 40 AJ	38	24	1.1/2"	170,0	1.7/8" -12 UN	87,5	60
PN 50 AJ	51	32	2"	170,0	2.1/2" -12 UN	108,0	75

Product versions

PN AJ VA Swage nipple, DKJ, Stainless steel