

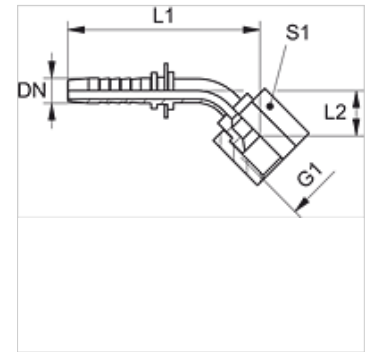
PN AJ 45

Swage nipple, DKJ angle 45°

HANSA FLEX

Properties

Application	Swage nipple for HD 100 to HD 400, KP and TE hoses
Connection 1	UN/UNF nut threads
Sealing form 1	74° inner cone
Short code	DKJ
Standard	ISO 8434-2
Material	Steel
Surface	electro galvanised



Note

Choose the appropriate ferrule based on the hose type.

Item

Identification	DN	Size	Inches	Operating pressure (bar)	G1	L1 (mm)	L2 (mm)	S1
PN 04 AJ 06 45	5	3	3/16"	410,0	7/16"-20 UNF	54,5	12,5	14
PN 06 AJ 45	6	4	1/4"	410,0	7/16"-20 UNF	61,5	14,0	14
PN 06 AJ 08 45	6	4	1/4"	410,0	1/2"-20 UNF	62,0	13,5	17
PN 06 AJ 10 45	6	4	1/4"	350,0	9/16"-18 UNF	62,5	14,0	19
PN 08 AJ 45	8	5	5/16"	410,0	1/2"-20 UNF	68,5	18,5	17
PN 08 AJ 10 45	8	5	5/16"	350,0	9/16"-18 UNF	64,0	15,0	19
PN 10 AJ 08 45	10	6	3/8"	350,0	1/2"-20 UNF	73,0	18,5	17
PN 10 AJ 45	10	6	3/8"	350,0	9/16"-18 UNF	70,5	17,5	19
PN 10 AJ 13 45	10	6	3/8"	345,0	3/4"-16 UNF	72,0	19,0	24
PN 10 AJ 16 45	10	6	3/8"	345,0	7/8"-14 UNF	72,5	19,5	27
PN 13 AJ 45	12	8	1/2"	345,0	3/4"-16 UNF	80,5	20,5	24
PN 13 AJ 16 45	12	8	1/2"	345,0	7/8"-14 UNF	81,5	21,5	27
PN 13 AJ 20 45	12	8	1/2"	345,0	1.1/16"-12 UN	82,5	22,5	32
PN 16 AJ 14 45	16	10	5/8"	345,0	1.3/16"-12 UN	93,5	30,0	36
PN 16 AJ 45	16	10	5/8"	345,0	7/8"-14 UNF	96,5	25,5	27
PN 16 AJ 20 45	16	10	5/8"	345,0	1.1/16"-12 UN	97,0	26,0	32
PN 20 AJ 14 45	19	12	3/4"	345,0	1.3/16"-12 UN	108,5	29,0	36
PN 20 AJ 45	19	12	3/4"	345,0	1.1/16"-12 UN	108,0	28,5	32
PN 20 AJ 25 45	19	12	3/4"	275,0	1.5/16"-12 UN	108,5	29,0	41
PN 25 AJ 14 45	25	16	1"	275,0	1.3/16"-12 UN	117,5	32,5	36
PN 25 AJ 45	25	16	1"	275,0	1.5/16"-12 UN	134,5	32,5	41
PN 25 AJ 32 45	25	16	1"	200,0	1.5/8"-12 UN	135,5	34,0	50
PN 32 AJ 45	31	20	1.1/4"	200,0	1.5/8"-12 UN	161,0	41,0	50
PN 32 AJ 40 45	31	20	1.1/4"	170,0	1.7/8"-12 UN	162,0	42,0	60
PN 40 AJ 45	38	24	1.1/2"	170,0	1.7/8"-12 UN	184,5	46,5	60
PN 50 AJ 45	51	32	2"	170,0	2.1/2"-12 UN	231,0	67,0	75

Product versions

PN AJ 45 VA Swage nipple, DKJ angle 45°, Stainless steel