

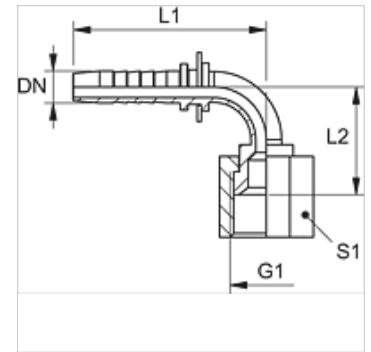
PN AJ 90

Swage nipple, DKJ angle 90°

HANSA FLEX

Properties

Application	Swage nipple for HD 100 to HD 400, KP and TE hoses
Connection 1	UN/UNF nut threads
Sealing form 1	74° inner cone
Short code	DKJ
Standard	ISO 8434-2
Material	Steel
Surface	electro galvanised



Note

Choose the appropriate ferrule based on the hose type.

Item

Identification	DN	Size	Inches	Operating pressure (bar)	G1	L1 (mm)	L2 (mm)	S1
PN 04 AJ 06 90	5	3	3/16"	410,0	7/16"-20 UNF	47,5	26,0	14
PN 06 AJ 90	6	4	1/4"	410,0	7/16"-20 UNF	57,0	26,0	14
PN 06 AJ 08 90	6	4	1/4"	410,0	1/2"-20 UNF	57,0	27,0	17
PN 06 AJ 10 90	6	4	1/4"	350,0	9/16"-18 UNF	57,0	28,0	19
PN 08 AJ 90	8	5	5/16"	410,0	1/2"-20 UNF	56,5	33,0	17
PN 08 AJ 10 90	8	5	5/16"	350,0	9/16"-18 UNF	57,5	30,5	19
PN 10 AJ 08 90	10	6	3/8"	350,0	1/2"-20 UNF	66,5	37,5	17
PN 10 AJ 90	10	6	3/8"	350,0	9/16"-18 UNF	63,0	35,0	19
PN 10 AJ 13 90	10	6	3/8"	345,0	3/4"-16 UNF	63,0	37,0	24
PN 10 AJ 16 90	10	6	3/8"	345,0	7/8"-14 UNF	63,0	38,0	27
PN 13 AJ 90	12	8	1/2"	345,0	3/4"-16 UNF	71,5	42,5	24
PN 13 AJ 16 90	12	8	1/2"	345,0	7/8"-14 UNF	71,5	43,5	27
PN 13 AJ 20 90	12	8	1/2"	345,0	1.1/16"-12 UN	71,5	45,0	32
PN 16 AJ 90	16	10	5/8"	345,0	7/8"-14 UNF	87,0	54,0	27
PN 16 AJ 20 90	16	10	5/8"	345,0	1.1/16"-12 UN	87,0	54,5	32
PN 16 AJ 20 90 L 105	16	10	5/8"	345,0	1.1/16"-12 UN	87,0	105,0	32
PN 20 AJ 90	19	12	3/4"	345,0	1.1/16"-12 UN	99,0	57,5	32
PN 20 AJ 90 L 100	19	12	3/4"	345,0	1.1/16"-12 UN	99,0	100,0	32
PN 20 AJ 14 90	19	12	3/4"	345,0	1.3/16"-12 UN	108,5	69,5	36
PN 20 AJ 25 90	19	12	3/4"	275,0	1.5/16"-12 UN	99,0	58,5	41
PN 25 AJ 14 90	25	16	1"	275,0	1.3/16"-12 UN	108,5	69,5	36
PN 25 AJ 90	25	16	1"	275,0	1.5/16"-12 UN	126,0	70,5	41
PN 25 AJ 32 90	25	16	1"	200,0	1.5/8"-12 UN	126,0	72,5	50
PN 32 AJ 90	31	16	1.1/4"	200,0	1.5/8"-12 UN	150,5	86,0	50
PN 32 AJ 40 90	31	20	1.1/4"	170,0	1.7/8"-12 UN	150,5	87,0	60
PN 40 AJ 90	38	24	1.1/2"	170,0	1.7/8"-12 UN	175,5	100,5	60
PN 50 AJ 90	51	32	2"	170,0	2.1/2"-12 UN	216,5	135,0	75

Product versions

PN AJ 90 VA Swage nipple, DKJ angle 90°, Stainless steel