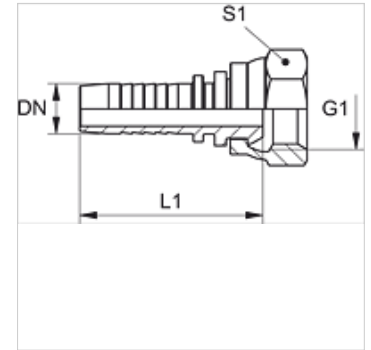


PN AJF

Swage nipple, ORFS

Properties

Application	Swage nipple for HD 100 to HD 400, KP and TE hoses
Connection 1	UN/UNF nut threads
Sealing form 1	flat sealing
Short code	ORFS
Standard	ISO 8434-3
Material	Steel
Surface	electro galvanised



Note

Choose the appropriate ferrule based on the hose type.

Item

Identification	DN	Size	Inches	Operating pressure (bar)	G1	L1 (mm)	S1
PN 06 AJF	6	4	1/4"	413,0	9/16"-18 UNF	49,5	17
PN 06 AJF 10	6	4	1/4"	413,0	11/16" -16 UN	51,5	22
PN 08 AJF 10	8	5	5/16"	413,0	11/16" -16 UN	51,5	22
PN 10 AJF	10	6	3/8"	413,0	11/16" -16 UN	53,0	22
PN 10 AJF 13	10	6	3/8"	413,0	13/16" -16 UN	56,0	24
PN 13 AJF	12	8	1/2"	413,0	13/16" -16 UN	57,0	24
PN 13 AJF 16	12	8	1/2"	413,0	1" -14 UNS	61,0	30
PN 13 AJF 20	12	8	1/2"	413,0	1.3/16" -12 UN	65,5	36
PN 16 AJF	16	10	5/8"	413,0	1" -14 UNS	65,5	30
PN 16 AJF 20	16	10	5/8"	413,0	1.3/16" -12 UN	70,0	36
PN 20 AJF 16	19	12	3/4"	413,0	1" -14 UNS	76,0	30
PN 20 AJF	19	12	3/4"	413,0	1.3/16" -12 UN	74,5	36
PN 20 AJF 25	19	12	3/4"	413,0	1.7/16" -12 UN	77,5	41
PN 25 AJF	25	16	1"	413,0	1.7/16" -12 UN	83,5	41
PN 32 AJF	31	20	1.1/4"	275,0	1.11/16" -12 UN	92,5	50
PN 40 AJF	38	24	1.1/2"	275,0	2" -12 UN	96,0	60

Product versions

PN AJF VA	Swage nipple, ORFS, Stainless steel
-----------	-------------------------------------