

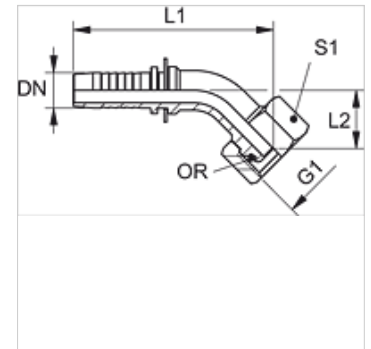
PN AOB 45

Swage nipple, DKOR angle 45°

HANSA FLEX

Properties

Application	Swage nipple for HD 100 to HD 400, KP and TE hoses
Connection 1	BSP nut thread
Sealing form 1	60° outer cone with O-ring
Short code	DKOR
Standard	ISO 8434-6 BS 5200
Material	Steel
Surface	electro galvanised



Note

Choose the appropriate ferrule based on the hose type.

Item

Identification	DN	Size	Inches	Operating pressure (bar)	G1	L1 (mm)	L2 (mm)	S1	OR
PN 06 AOB 45	6	4	1/4"	400,0	G 1/4" -19	60,5	12,5	19	6.0 x 1.0
PN 10 AOB 45	10	6	3/8"	400,0	G 3/8" -19	69,5	16,5	22	8.1 x 1.6
PN 13 AOB 45	12	8	1/2"	350,0	G 1/2" -14	78,5	17,5	27	12.1 x 1.6
PN 16 AOB 45	16	10	5/8"	350,0	G 5/8" -14	96,0	24,5	30	13.1 x 1.6
PN 20 AOB 45	19	12	3/4"	315,0	G 3/4" -14	108,0	28,5	32	17.1 x 1.6
PN 25 AOB 45	25	16	1"	250,0	G 1" -11	137,0	35,0	38	22.1 x 1.6
PN 25 AOB 32 45	25	16	1"	250,0	G 1.1/4" -11	134,5	32,0	50	29.1 x 1.6
PN 32 AOB 45	31	20	1.1/4"	250,0	G 1.1/4" -11	165,0	45,5	50	29.1 x 1.6
PN 32 AOB 40 45	31	20	1.1/4"	-	G 1.1/2" -11	165,0	45,0	55	35.1 x 1.6
PN 40 AOB 45	38	24	1.1/2"	210,0	G 1.1/2" -11	187,5	49,5	55	35.1 x 1.6
PN 40 AOB 50 45	38	24	1.1/2"	210,0	G 2" -11	189,5	51,5	70	48.1 x 1.6
PN 50 AOB 45	51	32	2"	210,0	G 2" -11	231,5	67,0	70	48.1 x 1.6