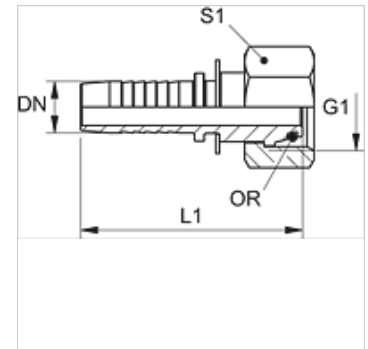


PN AOL

Swage nipple, DKOL

Properties

Application	Swage nipple for HD 100 to HD 400, KP and TE hoses
Connection 1	metric nut thread
Sealing form 1	24° outer cone with O-ring
Short code	DKOL
Standard	ISO 8434-1
Series	light
Material	Steel
Surface	electro galvanised



Note

Choose the appropriate ferrule based on the hose type.

Item

Identification	DN	Size	Inches	Operating pressure (bar)	G1	for external pipe Ø (mm)	L1 (mm)	S1	OR
PN 04 AOL	5	3	3/16"	-	M 12 x 1.5	6	45,5	14	4.0 x 1.5
PN 04 AOL 06	5	3	3/16"	-	M 14 x 1.5	8	45,5	17	6.0 x 1.5
PN 04 AOL 08	5	3	3/16"	-	M 16 x 1.5	10	46,0	19	7.5 x 1.5
PN 06 AOL 04	6	4	1/4"	-	M 12 x 1.5	6	46,5	14	4.0 x 1.5
PN 06 AOL	6	4	1/4"	-	M 14 x 1.5	8	52,0	17	6.0 x 1.5
PN 06 AOL 08	6	4	1/4"	-	M 16 x 1.5	10	52,0	19	7.5 x 1.5
PN 06 AOL 10	6	4	1/4"	-	M 18 x 1.5	12	53,0	22	9.0 x 1.5
PN 08 AOL 06	8	5	5/16"	-	M 14 x 1.5	8	47,0	17	6.0 x 1.5
PN 08 AOL	8	5	5/16"	-	M 16 x 1.5	10	52,0	19	7.5 x 1.5
PN 08 AOL 10	8	5	5/16"	-	M 18 x 1.5	12	53,0	22	9.0 x 1.5
PN 10 AOL 06	10	6	3/8"	-	M 14 x 1.5	8	50,5	17	6.0 x 1.5
PN 10 AOL 08	10	6	3/8"	-	M 16 x 1.5	10	51,5	19	7.5 x 1.5
PN 10 AOL	10	6	3/8"	-	M 18 x 1.5	12	54,5	22	9.0 x 1.5
PN 10 AOL 13	10	6	3/8"	-	M 22 x 1.5	15	56,5	27	12.0 x 2.0
PN 13 AOL 10	12	8	1/2"	-	M 18 x 1.5	12	54,5	22	9.0 x 1.5
PN 13 AOL	12	8	1/2"	-	M 22 x 1.5	15	57,5	27	12.0 x 2.0
PN 13 AOL 16	12	8	1/2"	-	M 26 x 1.5	18	59,0	32	15.0 x 2.0
PN 16 AOL 13	16	10	5/8"	-	M 22 x 1.5	15	58,0	27	12.0 x 2.0
PN 16 AOL	16	10	5/8"	-	M 26 x 1.5	18	64,0	32	15.0 x 2.0
PN 16 AOL 20	16	10	5/8"	-	M 30 x 2	22	64,5	36	20.0 x 2.0
PN 20 AOL 16	19	12	3/4"	-	M 26 x 1.5	18	66,5	32	15.0 x 2.0
PN 20 AOL	19	12	3/4"	-	M 30 x 2	22	71,0	36	20.0 x 2.0
PN 20 AOL 25	19	12	3/4"	-	M 36 x 2	28	73,0	41	26.0 x 2.0
PN 25 AOL 20	25	16	1"	-	M 30 x 2	22	75,5	36	20.0 x 2.0
PN 25 AOL	25	16	1"	-	M 36 x 2	28	81,0	41	26.0 x 2.0
PN 25 AOL 32	25	16	1"	-	M 45 x 2	35	85,5	50	32.0 x 2.5
PN 32 AOL 25	31	20	1.1/4"	-	M 36 x 2	28	87,0	41	26.0 x 2.0
PN 32 AOL	31	20	1.1/4"	-	M 45 x 2	35	94,5	50	32.0 x 2.5
PN 32 AOL 40	31	20	1.1/4"	-	M 52 x 2	42	94,5	60	38.0 x 2.5
PN 40 AOL 32	38	24	1.1/2"	-	M 45 x 2	35	94,0	50	32.0 x 2.5
PN 40 AOL	38	24	1.1/2"	100,0	M 52 x 2	42	98,0	60	38.0 x 2.5
PN 50 AOL 40	51	32	2"	-	M 52 x 2	42	112,5	60	38.0 x 2.5

Product versions

PN AOL VA Swage nipple, DKOL, Stainless steel