

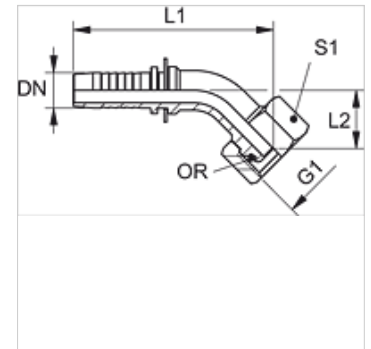
PN AOL 45

Swage nipple, DKOL angle 45°

HANSA FLEX

Properties

Application	Swage nipple for HD 100 to HD 400, KP and TE hoses
Connection 1	metric nut thread
Sealing form 1	24° outer cone with O-ring
Short code	DKOL
Standard	ISO 8434-1
Series	light
Material	Steel
Surface	electro galvanised



Note

Choose the appropriate ferrule based on the hose type.

Item

Identification	DN	Size	Inches	G1	for external pipe Ø (mm)	L1 (mm)	L2 (mm)	S1	OR
PN 04 AOL 06 45	5	3	3/16"	M 14 x 1.5	8	57,0	15,0	17	6.0 x 1.5
PN 04 AOL 45	5	3	3/16"	M 12 x 1.5	6	56,0	15,0	14	4.0 x 1.5
PN 04 AOL 08 45	5	3	3/16"	M 16 x 1.5	10	58,5	17,0	19	7.5 x 1.5
PN 06 AOL 04 45	6	4	1/4"	M 12 x 1.5	6	62,0	17,0	14	4.0 x 1.5
PN 06 AOL 45	6	4	1/4"	M 14 x 1.5	8	63,0	15,0	17	6.0 x 1.5
PN 06 AOL 08 45	6	4	1/4"	M 16 x 1.5	10	64,5	17,0	19	7.5 x 1.5
PN 06 AOL 10 45	6	4	1/4"	M 18 x 1.5	12	71,0	19,5	22	9.0 x 1.5
PN 08 AOL 06 45	8	5	5/16"	M 14 x 1.5	8	62,0	16,5	17	6.0 x 1.5
PN 08 AOL 45	8	5	5/16"	M 16 x 1.5	10	66,0	16,5	19	7.5 x 1.5
PN 08 AOL 10 45	8	5	5/16"	M 18 x 1.5	12	71,0	19,5	22	9.0 x 1.5
PN 10 AOL 08 45	10	6	3/8"	M 16 x 1.5	10	74,0	22,0	19	7.5 x 1.5
PN 10 AOL 45	10	6	3/8"	M 18 x 1.5	12	72,5	19,5	22	9.0 x 1.5
PN 10 AOL 13 45	10	6	3/8"	M 22 x 1.5	15	80,0	20,0	27	12.0 x 2.0
PN 13 AOL 10 45	12	8	1/2"	M 18 x 1.5	12	80,0	24,5	22	9.0 x 1.5
PN 13 AOL 45	12	8	1/2"	M 22 x 1.5	15	81,0	20,0	27	12.0 x 2.0
PN 13 AOL 16 45	12	8	1/2"	M 26 x 1.5	18	91,5	24,5	32	15.0 x 2.0
PN 16 AOL 13 45	16	10	5/8"	M 22 x 1.5	15	84,5	24,5	27	12.0 x 2.0
PN 16 AOL 45	16	10	5/8"	M 26 x 1.5	18	96,0	24,5	32	15.0 x 2.0
PN 16 AOL 20 45	16	10	5/8"	M 30 x 2	22	99,5	27,0	36	20.0 x 2.0
PN 20 AOL 16 45	19	12	3/4"	M 26 x 1.5	18	101,5	27,0	32	15.0 x 2.0
PN 20 AOL 45	19	12	3/4"	M 30 x 2	22	106,0	27,0	36	20.0 x 2.0
PN 20 AOL 25 45	19	12	3/4"	M 36 x 2	28	124,0	29,5	41	26.0 x 2.0
PN 25 AOL 20 45	25	16	1"	M 30 x 2	22	113,0	29,5	36	20.0 x 2.0
PN 25 AOL 45	25	16	1"	M 36 x 2	28	132,0	29,5	41	26.0 x 2.0
PN 25 AOL 32 45	25	16	1"	M 45 x 2	35	150,0	38,5	50	32.0 x 2.5
PN 32 AOL 25 45	31	20	1.1/4"	M 36 x 2	28	140,0	38,5	41	26.0 x 2.0
PN 32 AOL 45	31	20	1.1/4"	M 45 x 2	35	159,0	38,5	50	32.0 x 2.5
PN 40 AOL 45	38	24	1.1/2"	M 52 x 2	42	181,5	42,5	60	38.0 x 2.5

Product versions

PN AOL 45 VA Swage nipple, DKOL angle 45°, Stainless steel