

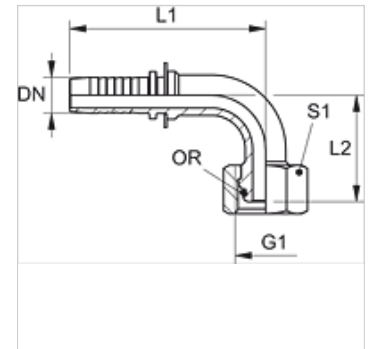
PN AOL 90

Swage nipple, DKOL angle 90°

HANSA FLEX

Properties

Application	Swage nipple for HD 100 to HD 400, KP and TE hoses
Connection 1	metric nut thread
Sealing form 1	24° outer cone with O-ring
Short code	DKOL
Standard	ISO 8434-1
Series	light
Material	Steel
Surface	electro galvanised



Note

Choose the appropriate ferrule based on the hose type.

Item

Identification	DN	Size	Inches	G1	for external pipe Ø (mm)	L1 (mm)	L2 (mm)	S1	OR
PN 04 AOL 90	5	3	3/16"	M 12 x 1.5	6	48,5	29,0	14	4.0 x 1.5
PN 04 AOL 06 90	5	3	3/16"	M 14 x 1.5	10	49,0	33,0	17	6.0 x 1.5
PN 04 AOL 08 90	5	3	3/16"	M 16 x 1.5	10	49,0	33,0	19	7.5 x 1.5
PN 06 AOL 04 90	6	4	1/4"	M 12 x 1.5	6	57,0	30,5	14	4.0 x 1.5
PN 06 AOL 90	6	4	1/4"	M 14 x 1.5	8	55,0	30,5	17	6.0 x 1.5
PN 06 AOL 90 L 50	6	4	1/4"	M 14 x 1.5	8	55,0	50,0	17	6.0 x 1.5
PN 06 AOL 90 L 55	6	4	1/4"	M 14 x 1.5	8	55,0	55,0	17	6.0 x 1.5
PN 06 AOL 08 90	6	4	1/4"	M 16 x 1.5	10	55,0	33,0	19	7.5 x 1.5
PN 06 AOL 08 90 L 60	6	4	1/4"	M 16 x 1.5	10	55,0	60,0	19	7.5 x 1.5
PN 06 AOL 10 90	6	4	1/4"	M 18 x 1.5	12	62,5	32,0	22	9.0 x 1.5
PN 08 AOL 06 90	8	5	5/16"	M 14 x 1.5	8	54,0	31,5	17	6.0 x 1.5
PN 08 AOL 90	8	5	5/16"	M 16 x 1.5	10	58,0	31,5	19	7.5 x 1.5
PN 08 AOL 90 L 42	8	5	5/16"	M 16 x 1.5	10	58,0	42,0	19	7.5 x 1.5
PN 08 AOL 10 90	8	5	5/16"	M 18 x 1.5	12	58,0	32,5	22	9.0 x 1.5
PN 10 AOL 08 90	10	6	3/8"	M 16 x 1.5	10	63,0	40,5	19	7.5 x 1.5
PN 10 AOL 90	10	6	3/8"	M 18 x 1.5	12	64,0	37,0	22	9.0 x 1.5
PN 10 AOL 90 L 50	10	6	3/8"	M 18 x 1.5	12	64,0	50,0	22	9.0 x 1.5
PN 10 AOL 90 L 60	10	6	3/8"	M 18 x 1.5	12	64,0	60,0	22	9.0 x 1.5
PN 10 AOL 90 L 70	10	6	3/8"	M 18 x 1.5	-	64,0	70,0	22	9.0 x 1.5
PN 10 AOL 90 L 75	10	6	3/8"	M 18 x 1.5	12	64,0	75,0	22	9.0 x 1.5
PN 10 AOL 13 90	10	6	3/8"	M 22 x 1.5	15	71,5	41,5	27	12.0 x 2.0
PN 13 AOL 10 90	12	8	1/2"	M 18 x 1.5	12	71,5	50,5	22	9.0 x 1.5
PN 13 AOL 90	12	8	1/2"	M 22 x 1.5	15	72,5	41,5	27	12.0 x 2.0
PN 13 AOL 90 L 60	12	8	1/2"	M 22 x 1.5	15	88,0	60,0	27	12.0 x 2.0
PN 13 AOL 90 L 77	12	8	1/2"	M 22 x 1.5	15	72,5	77,0	27	12.0 x 2.0
PN 13 AOL 16 90	12	8	1/2"	M 26 x 1.5	18	83,5	50,5	32	15.0 x 2.0
PN 16 AOL 13 90	16	10	5/8"	M 22 x 1.5	15	87,0	50,5	27	12.0 x 2.0
PN 16 AOL 90	16	10	5/8"	M 26 x 1.5	18	88,0	50,5	32	15.0 x 2.0
PN 16 AOL 20 90	16	10	5/8"	M 30 x 2	22	93,0	54,5	36	20.0 x 2.0
PN 20 AOL 16 90	19	12	3/4"	M 26 x 1.5	18	93,5	66,0	32	15.0 x 2.0
PN 20 AOL 90	19	12	3/4"	M 30 x 2	22	99,5	54,5	36	20.0 x 2.0
PN 20 AOL 90 L 60	19	12	3/4"	M 30 x 2	22	109,0	60,0	36	20.0 x 2.0
PN 20 AOL 90 L 75	19	12	3/4"	M 30 x 2	22	111,0	75,0	36	20.0 x 2.0
PN 20 AOL 90 L 100	19	12	3/4"	M 30 x 2	22	109,0	100,0	36	20.0 x 2.0
PN 20 AOL 90 L 120	19	12	3/4"	M 30 x 2	22	111,0	120,0	36	20.0 x 2.0
PN 20 AOL 25 90	19	12	3/4"	M 36 x 2	28	119,0	66,0	41	26.0 x 2.0
PN 25 AOL 20 90	25	16	1"	M 30 x 2	22	106,5	66,0	36	20.0 x 2.0
PN 25 AOL 90	25	16	1"	M 36 x 2	28	127,0	66,0	41	26.0 x 2.0
PN 25 AOL 90 L 72	25	16	1"	M 36 x 2	28	125,0	72,0	41	26.0 x 2.0
PN 25 AOL 90 L 100	25	16	1"	M 36 x 2	28	125,0	100,0	41	26.0 x 2.0
PN 25 AOL 90 L 150	25	16	1"	M 36 x 2	28	125,0	150,0	41	26.0 x 2.0
PN 25 AOL 32 90	25	16	1"	M 45 x 2	35	142,5	82,0	50	32.0 x 2.5
PN 32 AOL 25 90	31	20	1.1/4"	M 36 x 2	28	135,0	82,0	41	26.0 x 2.0
PN 32 AOL 90	31	20	1.1/4"	M 45 x 2	35	151,5	82,0	50	32.0 x 2.5
PN 32 AOL 90 L 98	31	20	1.1/4"	M 45 x 2	35	144,0	98,0	50	32.0 x 2.5
PN 32 AOL 40 90	31	20	1.1/4"	M 52 x 2	42	173,0	95,0	60	38.0 x 2.5



Despite careful checking, we cannot guarantee the accuracy of all information included on this site, and we accept no liability.

26.07.2024

HANSA-FLEX AG

www.hansa-flex.com

1

PN AOL 90

Swage nipple, DKOL angle 90°



Item									
Identification	DN	Size	Inches	G1	for external pipe Ø (mm)	L1 (mm)	L2 (mm)	S1	OR
PN 40 AOL 32 90	38	24	1.1/2"	M 45 x 2	35	154,0	95,0	50	32.0 x 2.5
PN 40 AOL 90	38	24	1.1/2"	M 52 x 2	42	176,5	95,0	60	38.0 x 2.5

Product versions

PN AOL 90 VA Swage nipple, DKOL angle 90°, Stainless steel